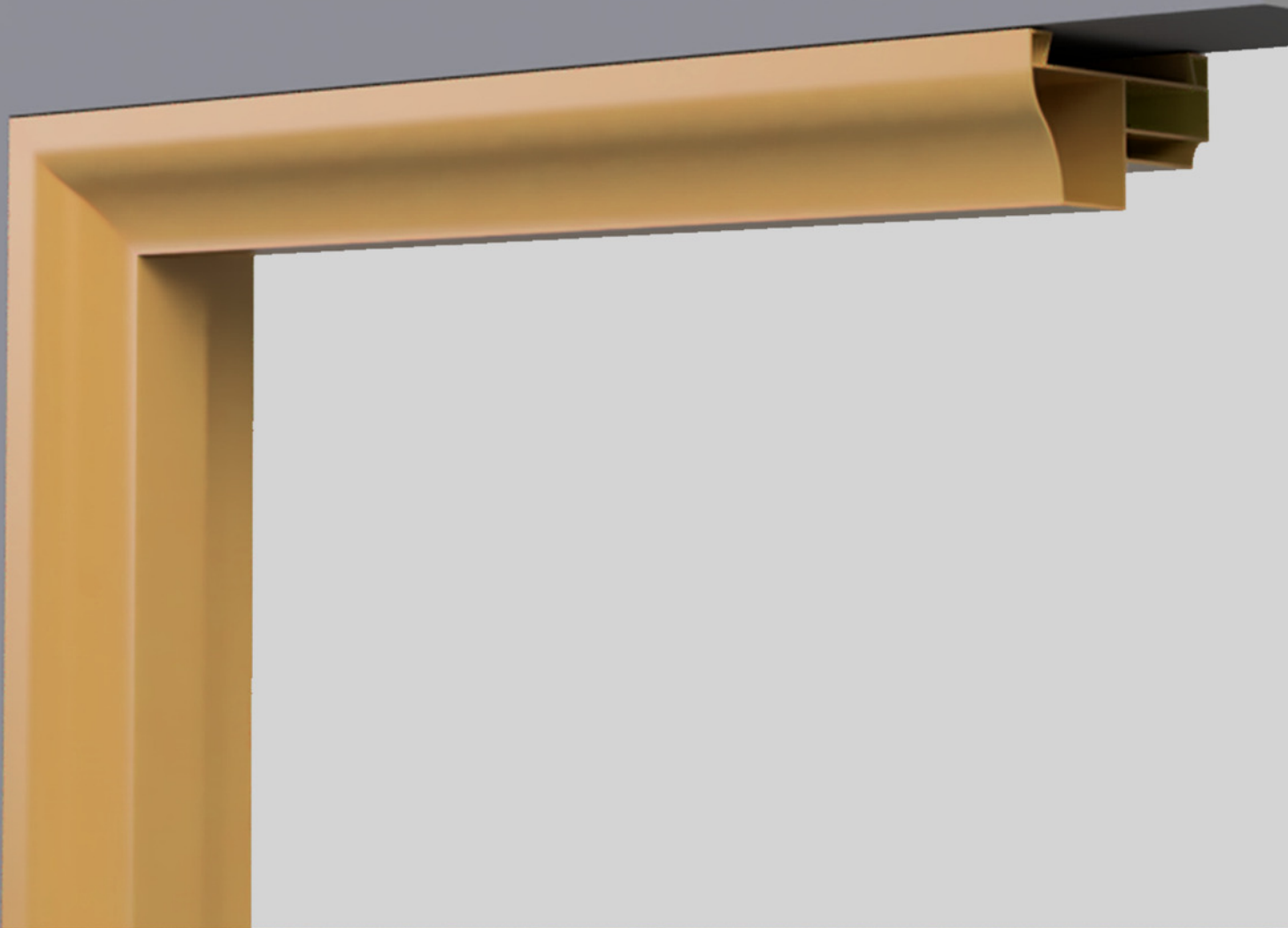
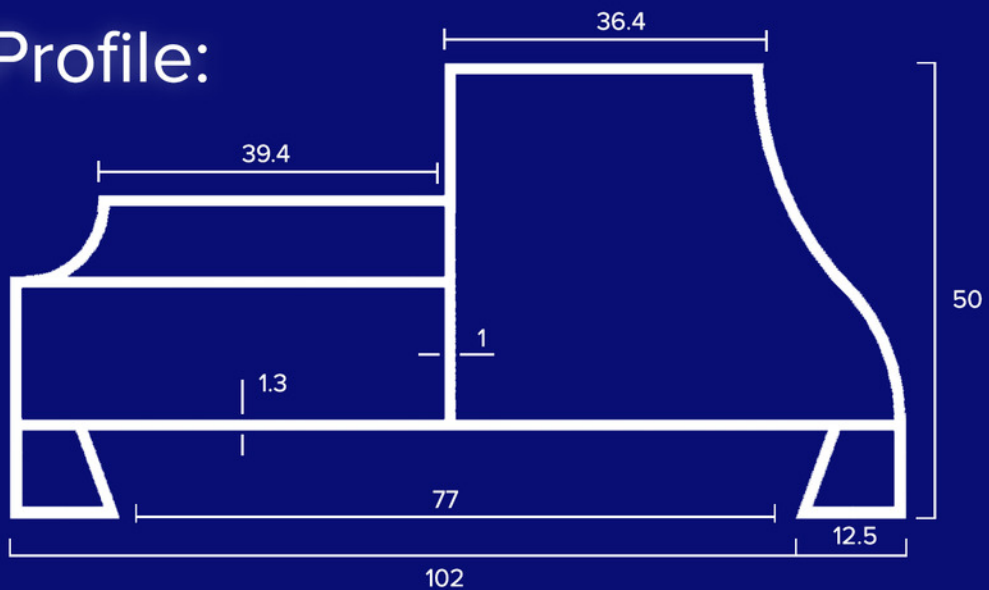


F102 Door Frame



Section Profile:



SPECIFICATION

Cross Section Size:

102 mm X 50 mm

* Length can be fabricated according to your needs

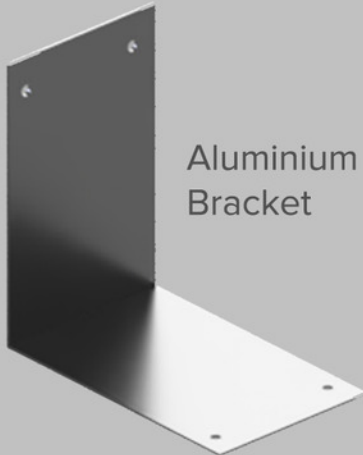
Standard Length 17ft

(7ft + 7ft + 3ft)

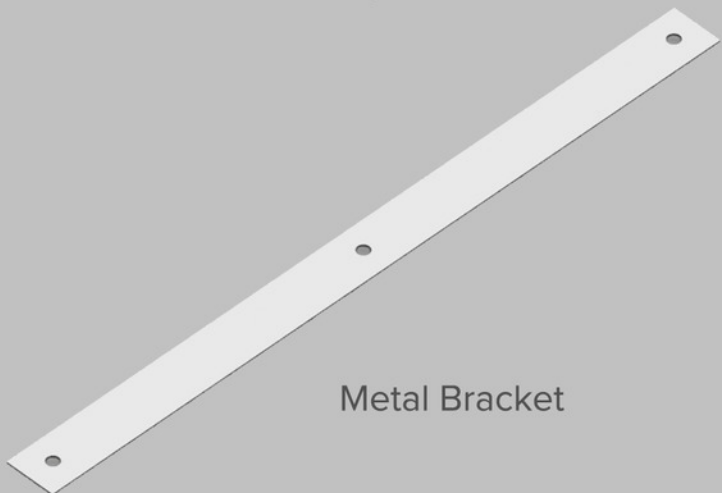
Accessories:

Aluminium Bracket
50mm Wide

Metal Bracket
280mm

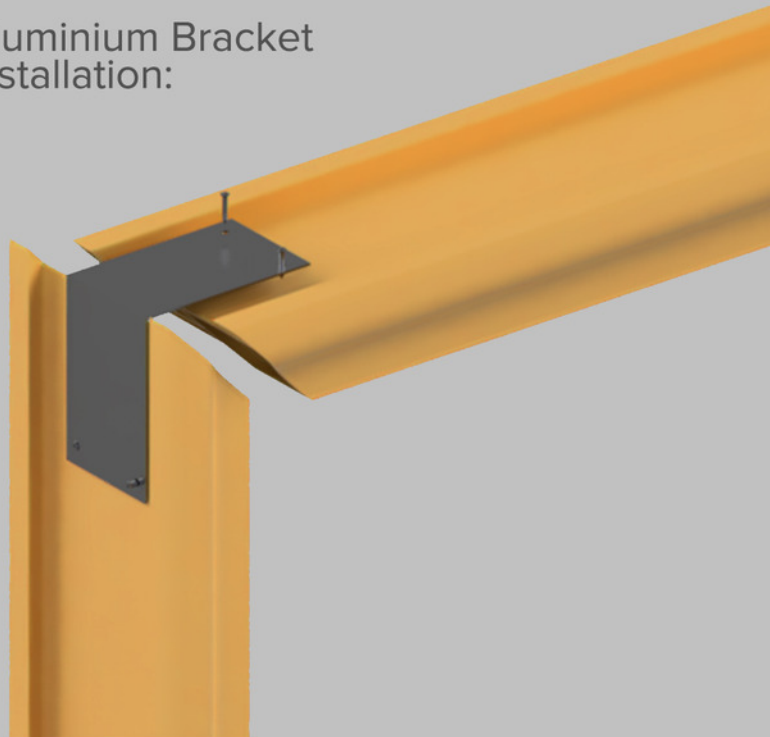


Aluminium
Bracket



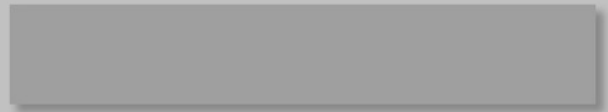
Metal Bracket

Aluminium Bracket
Installation:

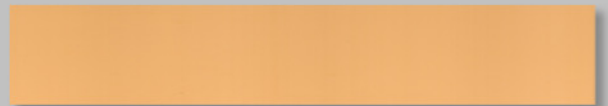


COLOUR

Variety of Solid Colours



Grey



Honey



Wood



QUALITY PLUS SDN BHD
QUALITY PLUS MARKETING SDN BHD

PTD111513 (NEW LOT 83269), BATU 15 1/2,
JALAN SUNGAI TIRAM, 81800 ULU TIRAM,
JOHOR, MALAYSIA

Tel : 07-863 7078 Fax : 07-863 3467
Email: info@qualityplus.com.my
Website: www.qualityplus.com.my



CERT NO. : MY0701167

CERT NO. : MY070240